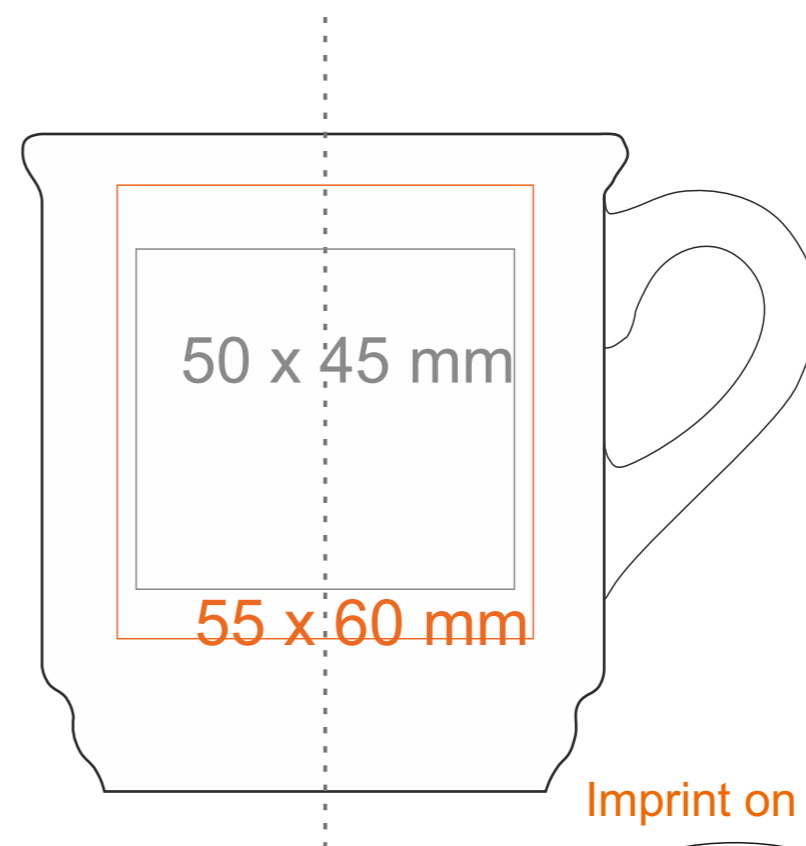
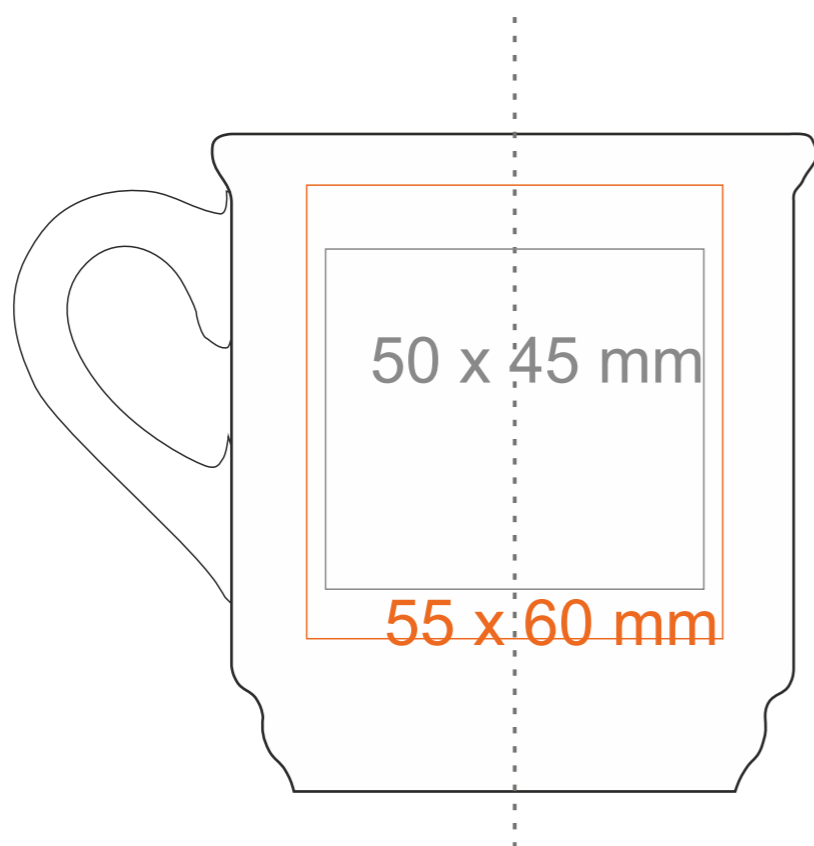
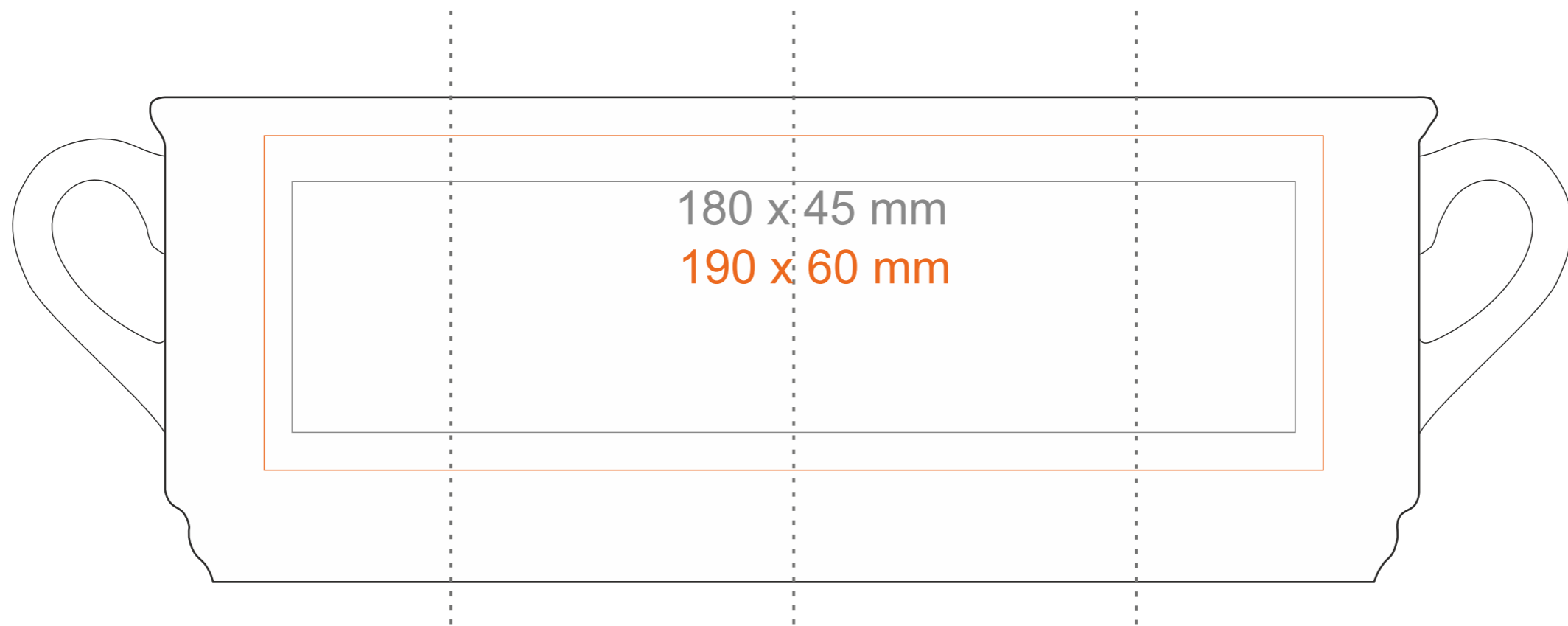
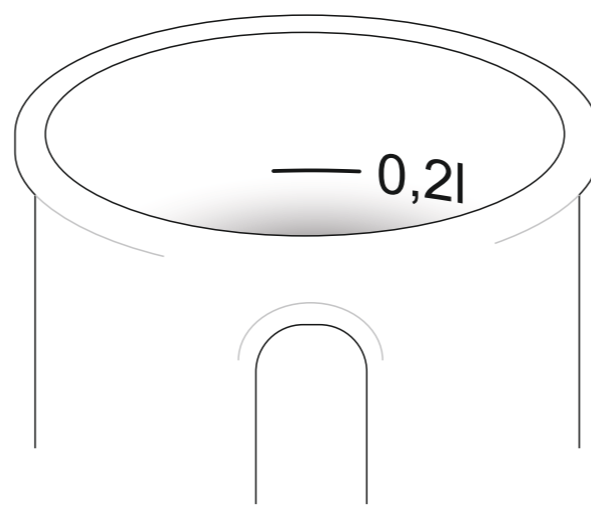


# M\_485 Claus

220 ml / h: 87 mm / Ø 80mm

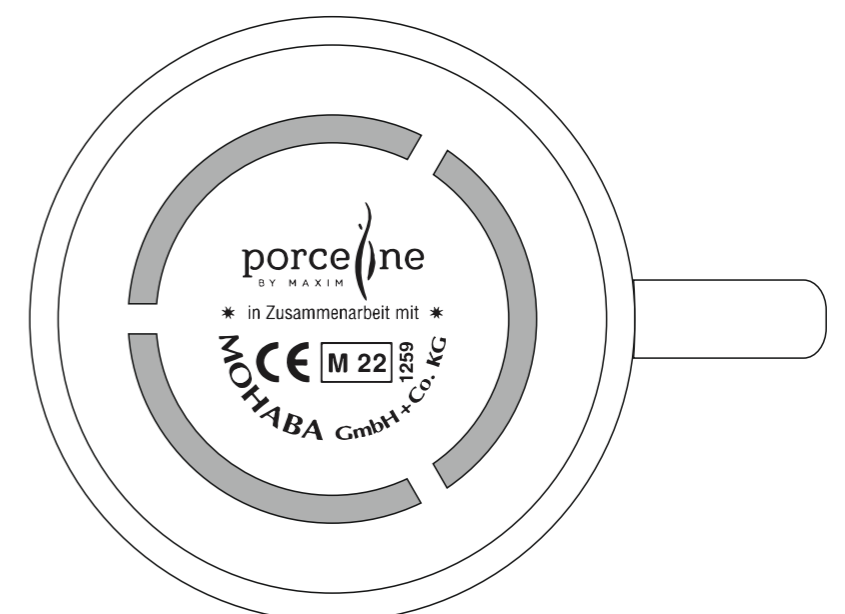
attribute 0,2l



Imprint on the bottom outside

Imprint on the inside  
Imprint on the bottom inside

- 40 x 20 mm
- Ø 30 mm



[How to prepare print material](#)

## meaning

- Transfer Print
- Sensitive Touch
- Direct Print

\*In the case of projects for transfer print running outside of the standard print area, please contact our sales department.